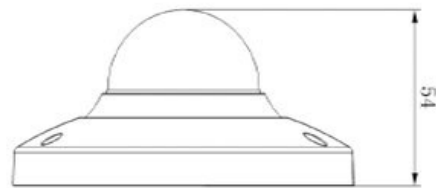
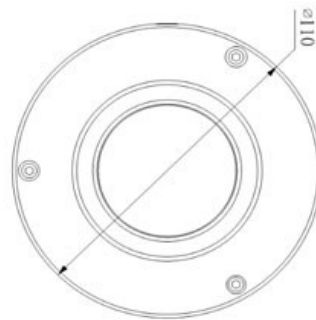


CP- UVC-EB40-D**4 MP WDR IR HDCVI FishEye Camera****Main Features**

- 1/3" 4MP PS CMOS Image Sensor
- Max. 25fps@4MP
- WDR(120dB), Day/Night (ICR), 2D/3D DNR, AWB, AGC, BLC, HLC
- 1.18mm Panoramic lens
- OSD Menu, control over coaxial cable, 2D/3D-DNR
- IK10
- HD and SD dual-output



*Product casing and specifications are subject to change without prior notice

CP- UVC-EB40-D

4 MP WDR IR HDCVI FishEye Camera



Feature

Image Sensor
Minimum Illumination
Effective Pixels
Shutter Speed
White Balance
Gain Control (AGC)
Lens
Back Light Compensation
S/N Ratio
Video Streaming
Video Output
ICR
OSD
Operating Temperature
Power Source
Power Consumption
Weatherproof Standard
Dimension
Weight

Specification

1/3" PS CMOS
0.01Lux/F2.0 (Color), 0.001lux/F2.0(B/W)
2560×1440 , 4MP
PAL: 1/4s~1/100,000s , NTSC: 1/3s~1/100,000s
Auto / Manual
Auto/Manual
1.18mm panoramic lens
BLC / HLC / WDR(120dB)
More than 65dB
25fps@4MP
1-channel BNC HDCVI high definition video output & 1-channel BNC CVBS video output
Auto (Electronic) / Manual
Multi-language
-30°C~+60°C / Less than 90%RH
12V DC ±25%
Max 2.2W (12V DC)
IK10
φ110mm x 56mm (φ4.3"x2.2")
0.41 kg